

Fitting Instructions: Sprocket Cover Kit, Clear - A9618037

Warning

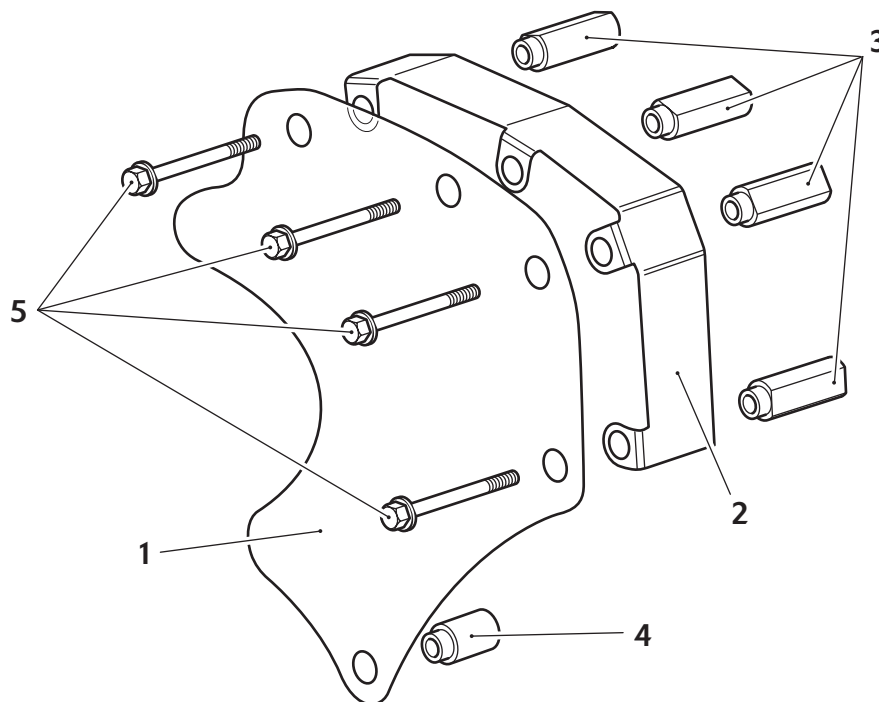
This accessory kit is designed for use on Triumph motorcycles only and should not be fitted to any other manufacturer's motorcycle. Fitting this accessory kit to any other manufacturer's motorcycle, may interfere with the rider and could affect the stability and handling of the motorcycle leading to loss of motorcycle control and an accident.

Warning

Always have Triumph approved parts, accessories and conversions fitted by a trained technician of an authorised Triumph dealer. The fitment of parts, accessories and conversions by a technician who is not of an authorised Triumph dealer may affect the handling, stability or other aspects of the motorcycles operation which may result in loss of motorcycle control and an accident.

Warning

Throughout this operation, ensure that the motorcycle is stabilised and adequately supported on a paddock stand to prevent risk of injury from the motorcycle falling.



Parts Supplied:

- | | | | |
|------------------------------------|-------|-------------------------------|-------|
| 1. Sprocket cover, clear | 1 off | 4. Spacer, short | 1 off |
| 2. Shield | 1 off | 5. Bolt, M6 x 55 mm | 4 off |
| 3. Spacer, long | 4 off | | |

Warning

A torque wrench of known accurate calibration must be used when fitting this accessory kit. Failure to tighten any of the fasteners to the correct torque specification may result in loss of motorcycle control and an accident.

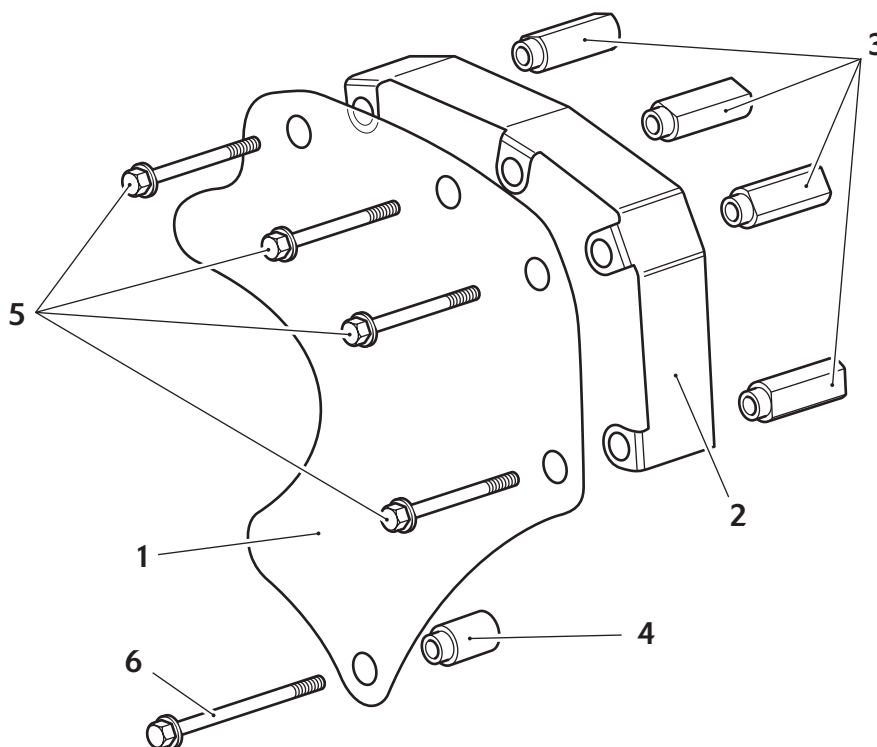
NOTE

- **Completely read all the instructions before commencing the installation and set up of the accessory kit in order to become thoroughly familiar with the kit's features and the installation process.**

1. Undo and remove the five bolts securing the sprocket cover to the crankcase. Remove the sprocket cover.

NOTE

- **Retain one of the five bolts for use later in this procedure.**
 - **Retain the sprocket cover and the remaining bolts for use if the motorcycle is returned to original condition.**
2. Recover the sprocket cover, shield, long spacers, short spacer and M5 x 55 mm bolts from the kit and, together with the bolt retained from step one, assemble as shown below. Ensure that the flats on the edge of the long spacers face the shield.



cecg

1. Sprocket cover
2. Shield
3. Long spacers
4. Short spacer
5. M5 x 55 mm bolts
6. Original sprocket cover bolt

3. Fit the assembly to the crankcase in the position of the original sprocket cover then tighten all five bolts to 9 Nm.

Warning

If, after fitment of the accessory kit, there is any doubt as to any aspect of the performance of the motorcycle, contact an authorised Triumph dealer and do not ride the motorcycle until the authorised dealer has declared it fit for use. Riding a motorcycle when there is any doubt as to any aspect of the performance of the motorcycle may result in loss of control of the motorcycle leading to an accident.